



## Drop in Induction Cooktop – Install Quick Specs CTI 30” Wide

### Installation Type

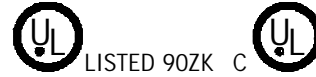
Drop into countertop opening

### Cooktop Carton Weight:

CTI304D = 45 lbs.

### Overall & Cutout Dimension(s)

<b>CTI304D</b>	<b>A</b>	<b>B</b>	<b>C</b>
<b>Overall</b>	30”	21”	3”
	<b>D</b>	<b>E</b>	
<b>Cutout</b>	29 7/16”	19 13/16”	



### Standard Features

- Low-profile, ceramic glass with matching black anodized rear frame.
- Textured glass surface helps minimize fingerprints and protects the glass finish.
- 30” Model (CTI304D) features four cooking zones.
- Precise, touch-sensitive electronic controls with 11 power settings (includes 3 pre-set options)
- Full range of power on all zones. NO power sharing or cycling between zones.
- AutoPanSizing™ feature senses pan size, then matches heat transfer to the pan – *no residual heat loss\**
- Most energy efficient cooking method which equates to lower energy costs and cooler kitchens.
- AutoOff™ feature that will turn the cooking surface off within 30 seconds, if pan is removed, or it senses a non-conductive pan is present.
- Cool to-the-touch cooking surface – safest cooking method to use around children.
- Shallow rough-in box depth for extra cabinet storage.

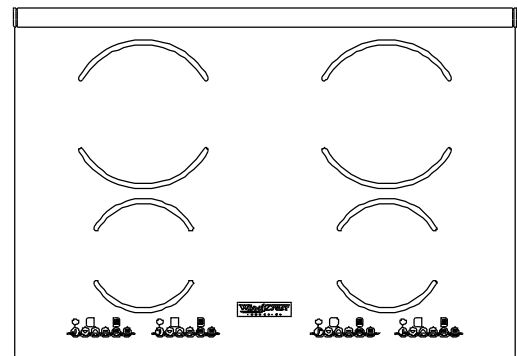
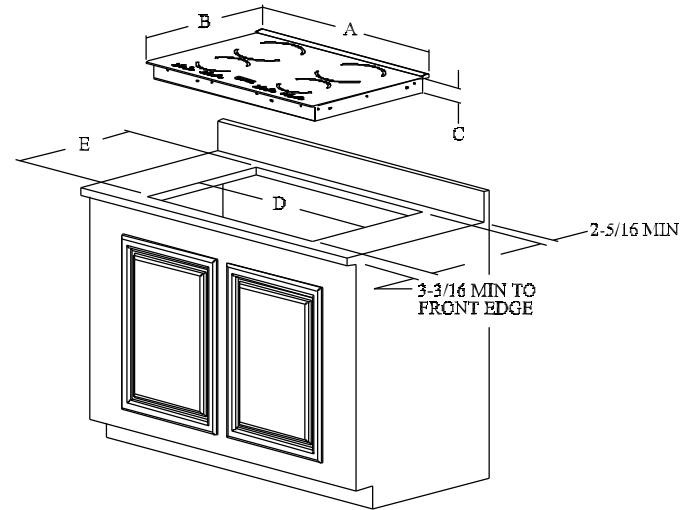
\*Not sure if your pans will work on induction? Place a magnet on the bottom, if it sticks, it will work!

### Finishes

- Elegantly textured black ceramic glass with matching black anodized rear frame.

### Maximum Power Supply Required

30 Amps @ 208/240 V AC, 3-wire, 60Hz, single phase connection. *4-foot, three-wire, flexible conduit comes with cooktop. Conduit is located off the center rear of the cooktop.*



CTI304D features Two 6” (2200 Watt) and Two 9” (2600 Watt) Induction Zones

© Copyright 2010 Wind Crest™ by CNP Industries, Inc.

**Install Quick Specs are for planning purposes only. Please refer to the detailed installation instructions, prior to making any cutouts.**